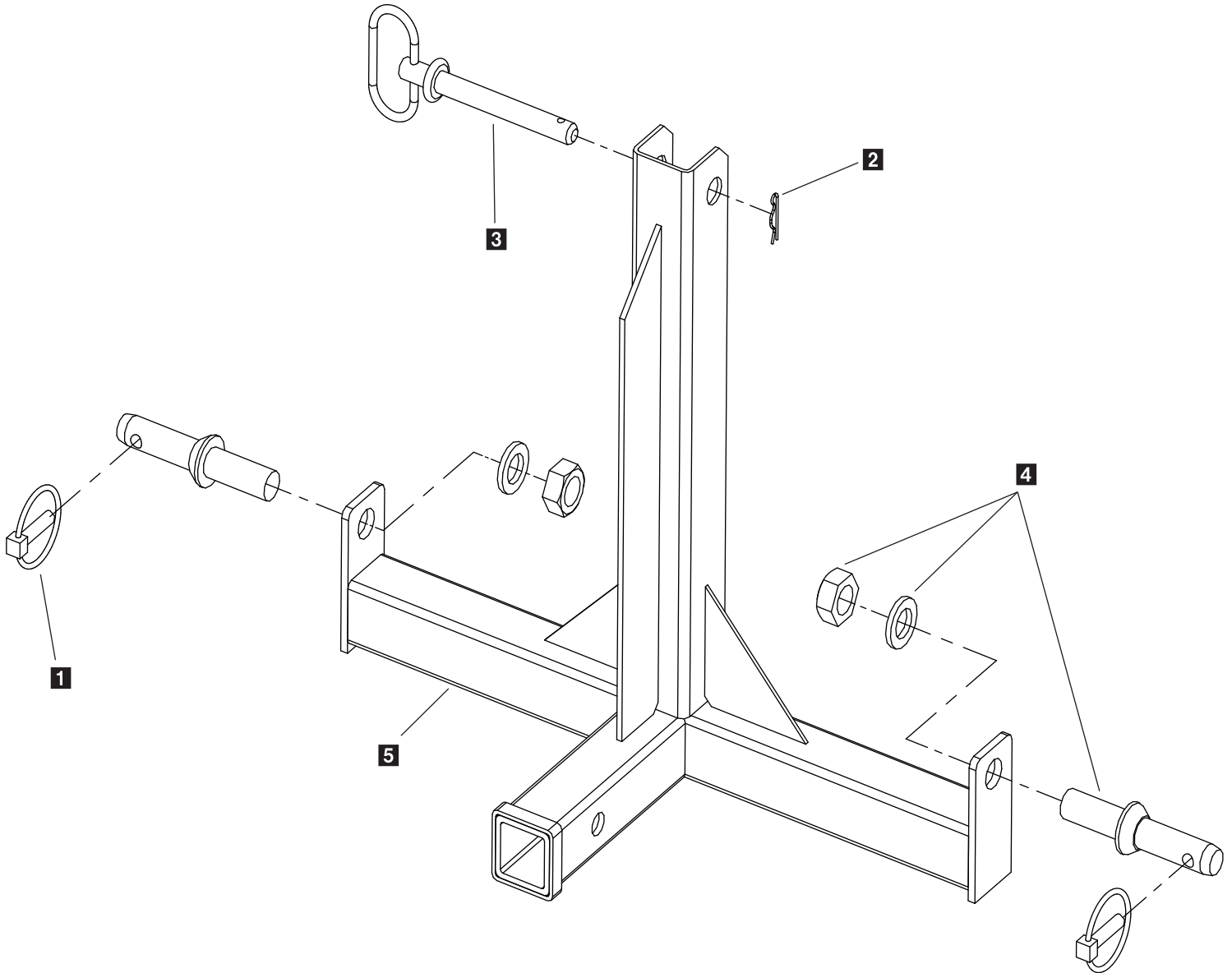




Three-Point Mount Parts Breakdown

Model #TPM-175



Key	Part No.	Description	Qty.
1	D 4133	5/16" Linch Pin	2
2	D 4135	2-5/16" Hairpin Clip	1
3	D 4136	5/8" x 5-1/2" Hitch Pin	1
4	D 4137	7/8" x 5-1/2" Lift Arm Pin	2
5	D 6147	Three Point Frame	1

CAUTION: MAXIMUM OF 240 LBS. GROSS WEIGHT CAN BE PUT ONTO MOUNT.